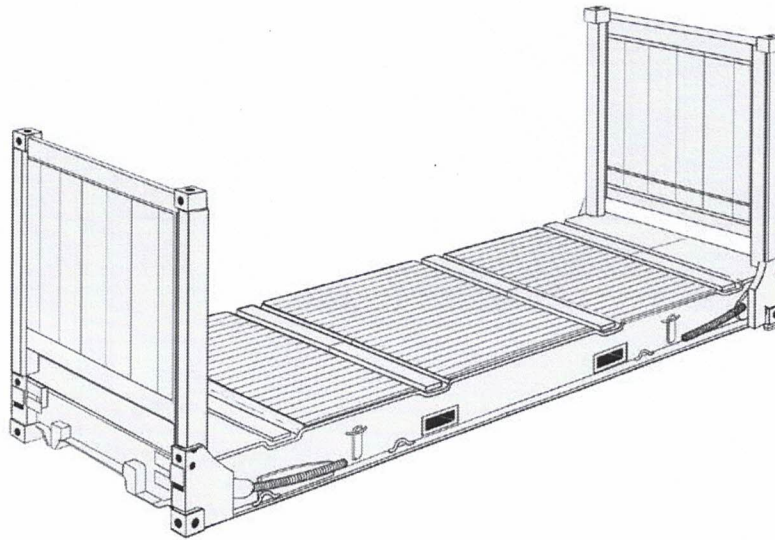


Type of container

20' Flat Rack



Details

- heavy duty base construction
- designed to carry heavy cargo usually out of gauge (length, width or height)
- the two end walls can be either fixed or folding
- flush folding designs allow the flat rack to be used as a Platform
- in contrast to a Platform, loaded Flats can be stacked on top of each other
- they can be loaded from the top or the side
- folded Flat Racks can be bundled to reduce empty positioning costs

Outside dimensions

length	mm	6058
	ft	19' 10 1/2"
width	mm	2438
	ft	8'
height	mm	2591
	ft	8' 6"

Roof opening

width	mm	./.
	ft	./.
height	mm	./.
	ft	./.

Inside dimensions

length	mm	5750
	ft	18' 10 2/5"
width	mm	2082
	ft	6' 10"
height	mm	2270
	ft	7' 5 3/8"
capacity	cbm	./.
	cbft	./.

Weights

Tare	kg	2600
	pd	5732
Max. payload	kg	30400
	pd	67020
Max. Gross	kg	33000
	pd	72752

Door opening

width	mm	./.
	ft	./.
height	mm	./.
	ft	./.
width side door	mm	./.
	ft	./.
height side door	mm	./.
	ft	./.

Certification

ISO size type	22P3
ISO size group	22PC