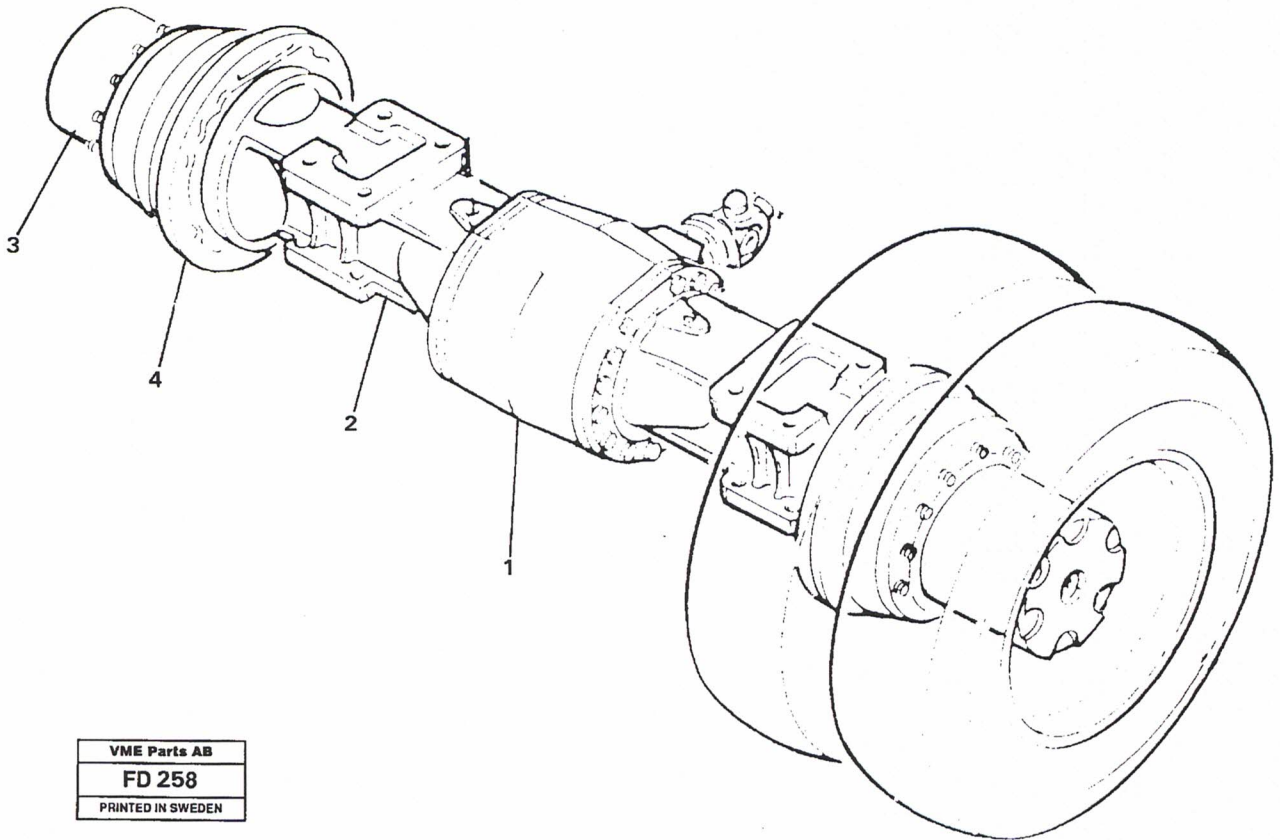


### Construction Equipment

Date: <b>16-02-2024</b>	Image id: <b>FD258</b>	Catalogue: <b>99512</b>	Model: <b>EW150</b>
Brand: <b>Åkerman</b>	Serial: <b>1-318</b>	Group/Section: <b>463/50</b>	Title: <b>Rear axle</b>



<b>VME Parts AB</b>
<b>FD 258</b>
<b>PRINTED IN SWEDEN</b>

Pos	Part	Q1	Q2	Q3	Q4	Q5	PS	Kit	Description	Option(s)	Remark
	VOE14216058	1					OP		Drive shaft		
1		1							•Differential		See ref 463/100
2		2							•Axle beam		See ref 463/200
3		2							•Wheel hub		See ref 463/250
4		2							•Brake		See ref 511/50