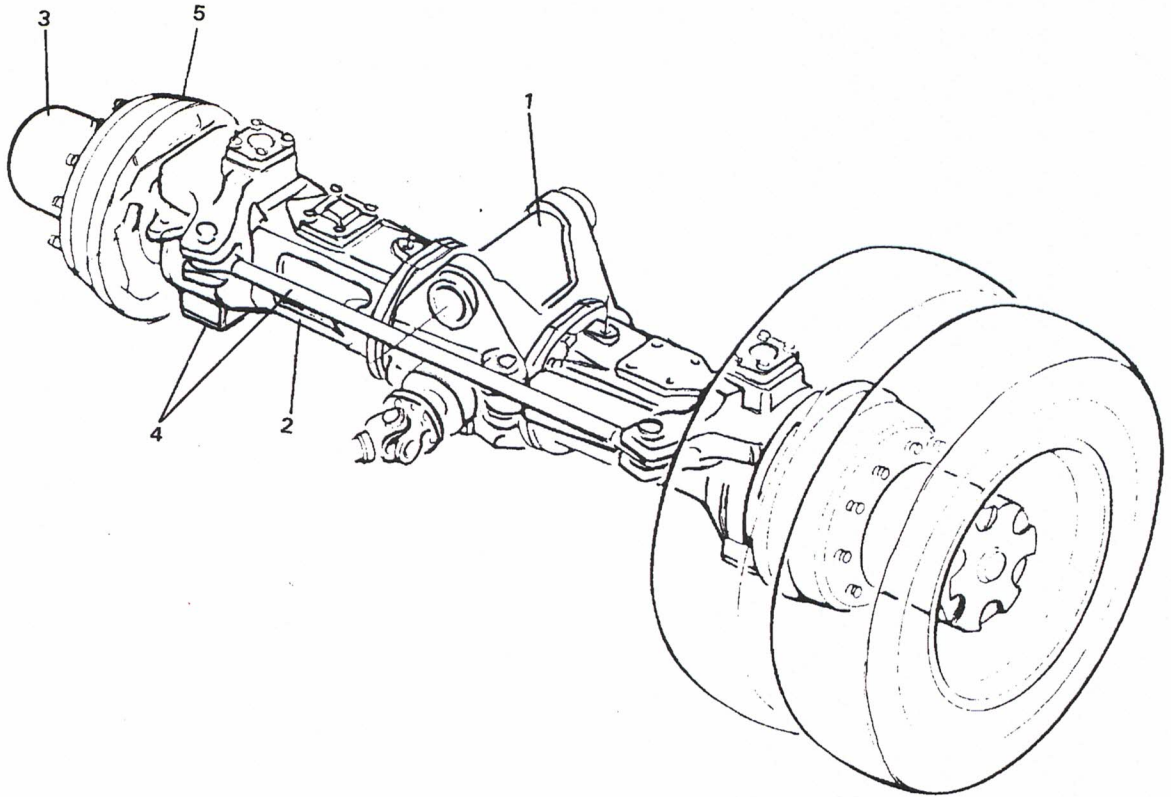


Construction Equipment

Date: 16-02-2024	Image id: FD259	Catalogue: 99512	Model: EW150
Brand: Åkerman	Serial: 1-318	Group/Section: 461/50	Title: Front axle



VME Parts AB
FD259
PRINTED IN SWEDEN

Pos	Part	Q1	Q2	Q3	Q4	Q5	PS	Kit	Description	Option(s)	Remark
	VOE14216057	1					OP		Drive shaft		
1		1							•Differential		See ref 461/100
2		2							•Axle beam		See ref 461/150
3		2							•Wheel hub		See ref 461/200
4		2							•Knuckle ret		See ref 643/100
5		2							•Brake		See ref 511/50