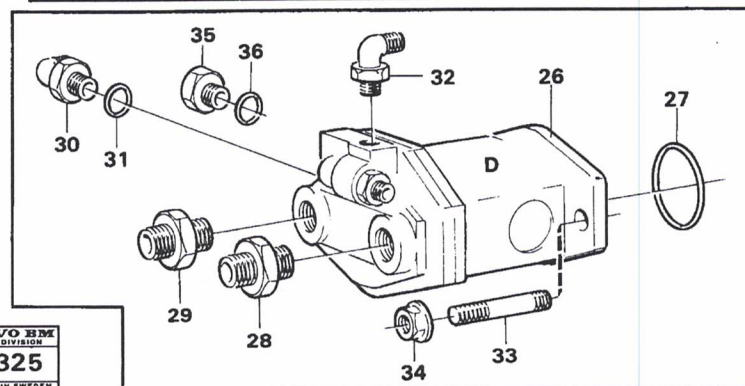
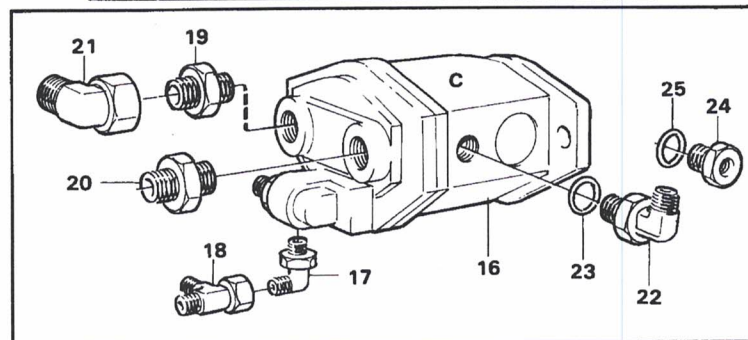
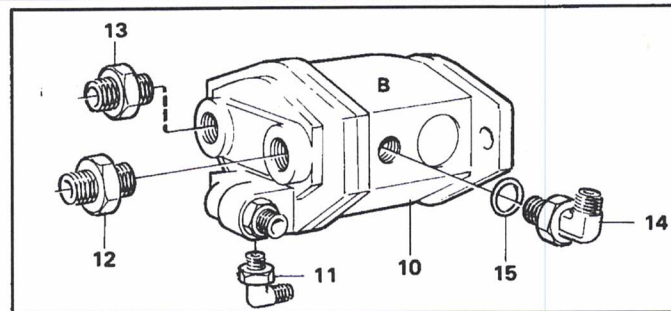
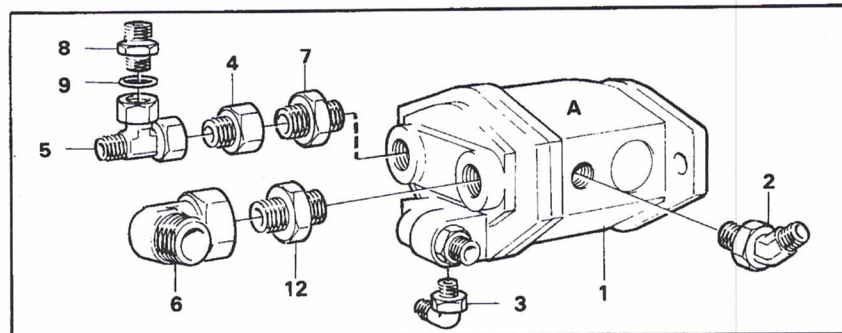


### Construction Equipment

Date: <b>15-12-2021</b>	Image id: <b>18325</b>	Catalogue: <b>97689</b>	Model: <b>A25</b>
Brand: <b>Volvo BM</b>	Serial: <b>4001-7000</b>	Group/Section: <b>91/275</b>	Title: <b>Hydraulic pumps with fitting parts</b>



**VOLVO BM**  
PARTS DIVISION  
**18325**  
PRINTED IN SWEDEN

Pos	Part	Q1	Q2	Q3	Q4	Q5	PS	Kit	Description	Option(s)	Remark
1	VOE4881425	1							Piston pump		See ref 91/300

2	VOE4881423	1						L-connection		
3	VOE4821838	1						L-connection		
4	VOE4821844	1						Nipple		
5	VOE4821858	1						T-nipple		
6	VOE4823878	1						Elbow		
7	VOE4821852	1						Nipple		
8	VOE4821891	1						Nipple		
9	VOE931211	1						•O-ring		
10	VOE4881425	1						Piston pump		See ref 91/300
11	VOE4821838	1						L-connection		
12	VOE4821851	2						Nipple		
13	VOE4821852	1						Nipple		
14	VOE4785903	1						Nipple		
15	VOE932041	1						•O-ring		
16	VOE4881426	1						Piston pump		See ref 91/300
17	VOE4821870	1						Clutch		
	VOE932037	1						•O-ring		
18	VOE4821859	1						Clutch		
19	VOE4821852	1						Nipple		
	VOE4881718	1						L-connection		
	VOE932044	1						•O-ring		
20	VOE4821878	1						L-connection		
21	VOE4965555							Reduction		
22	VOE4786069	1						Clutch		
	VOE958227	1						•O-ring		
23	VOE932041	1						•O-ring		
24	VOE4941938	1				OP		Nipple		
25	VOE932041	1						O-ring		
26	VOE4881426	1						Piston pump		See ref 91/300
27	VOE977025	1						O-ring		(VOE925260)
28	VOE4821854	1						Nipple		
29	VOE4821852	1						Nipple		
30	VOE4785903	1						Nipple		
31	VOE932041	1						•O-ring		
32	VOE4821838	1						L-connection		
33		2				NS		Stud		
34	VOE971099	2						Flange lock nut		(VOE13949280)
35	VOE4941938	1				OP		Nipple		
36	VOE932041	1						O-ring		