



# PI GEARBOX - INSTALLATION INFORMATION

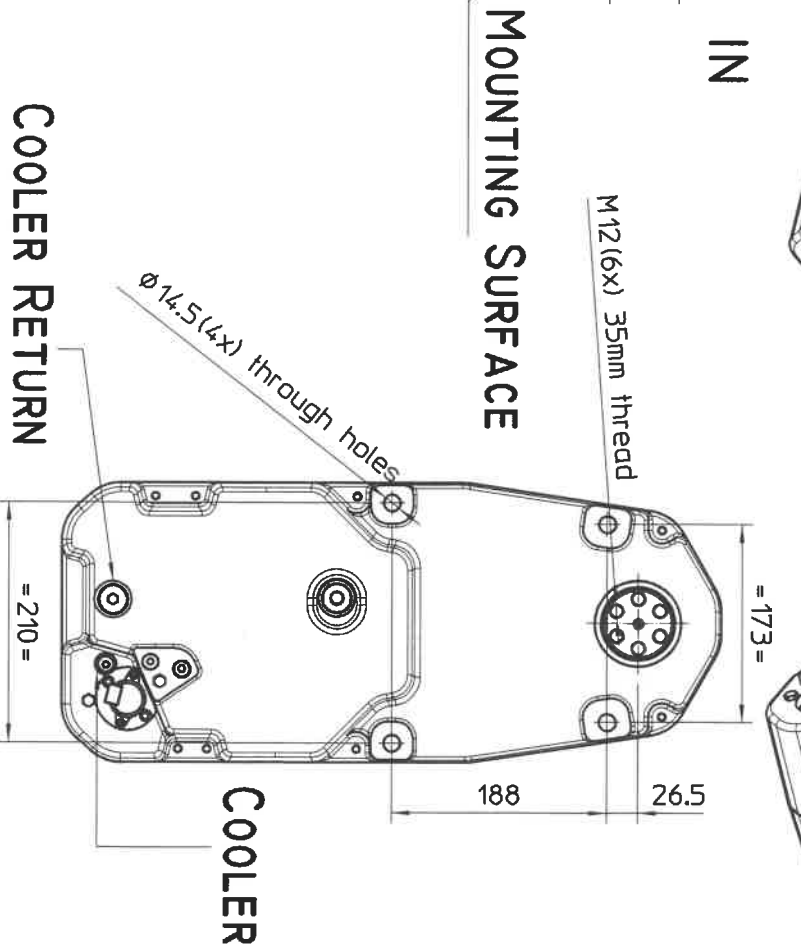
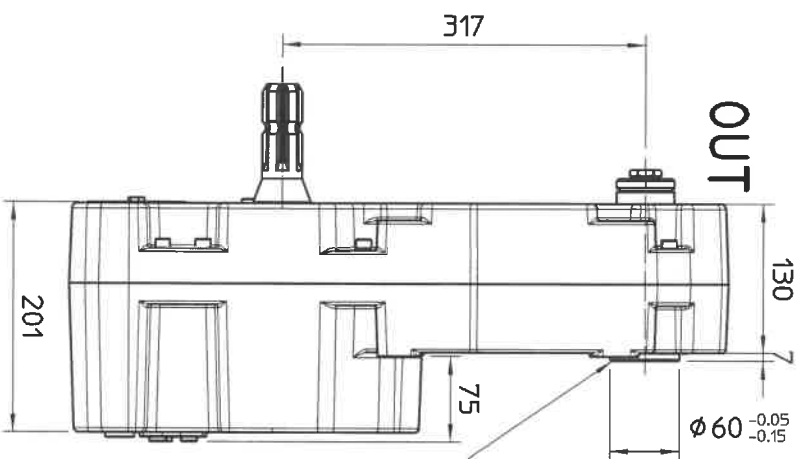
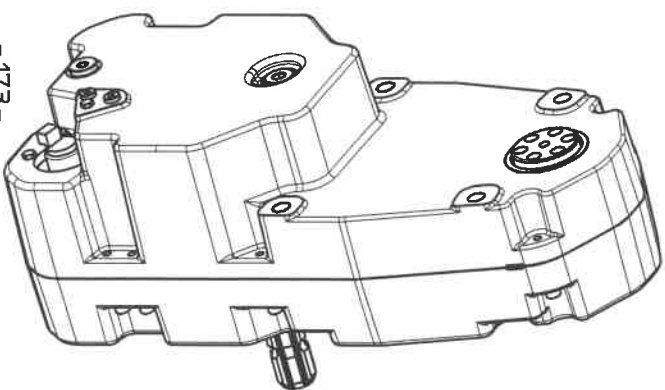
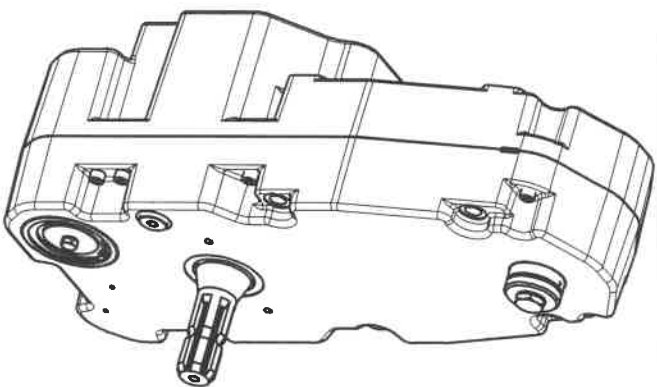
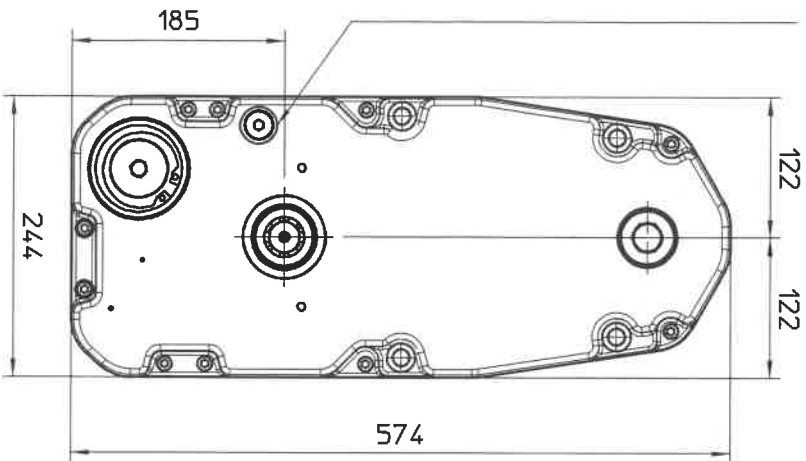
The gearbox can be fitted by using:  
-4x M14 bolts quality 8.8

Connect flange to gearbox entrance with 6x M12 12.9

Fill gearbox with BP Autran DX III or equal up to filling plug. Always check oil level after installation

Install the transmission in the same position as shown on this drawing. In case of doubt ask.

## FILL PLUG



OUT

IN

MOUNTING SURFACE

M12(6x) 35mm thread

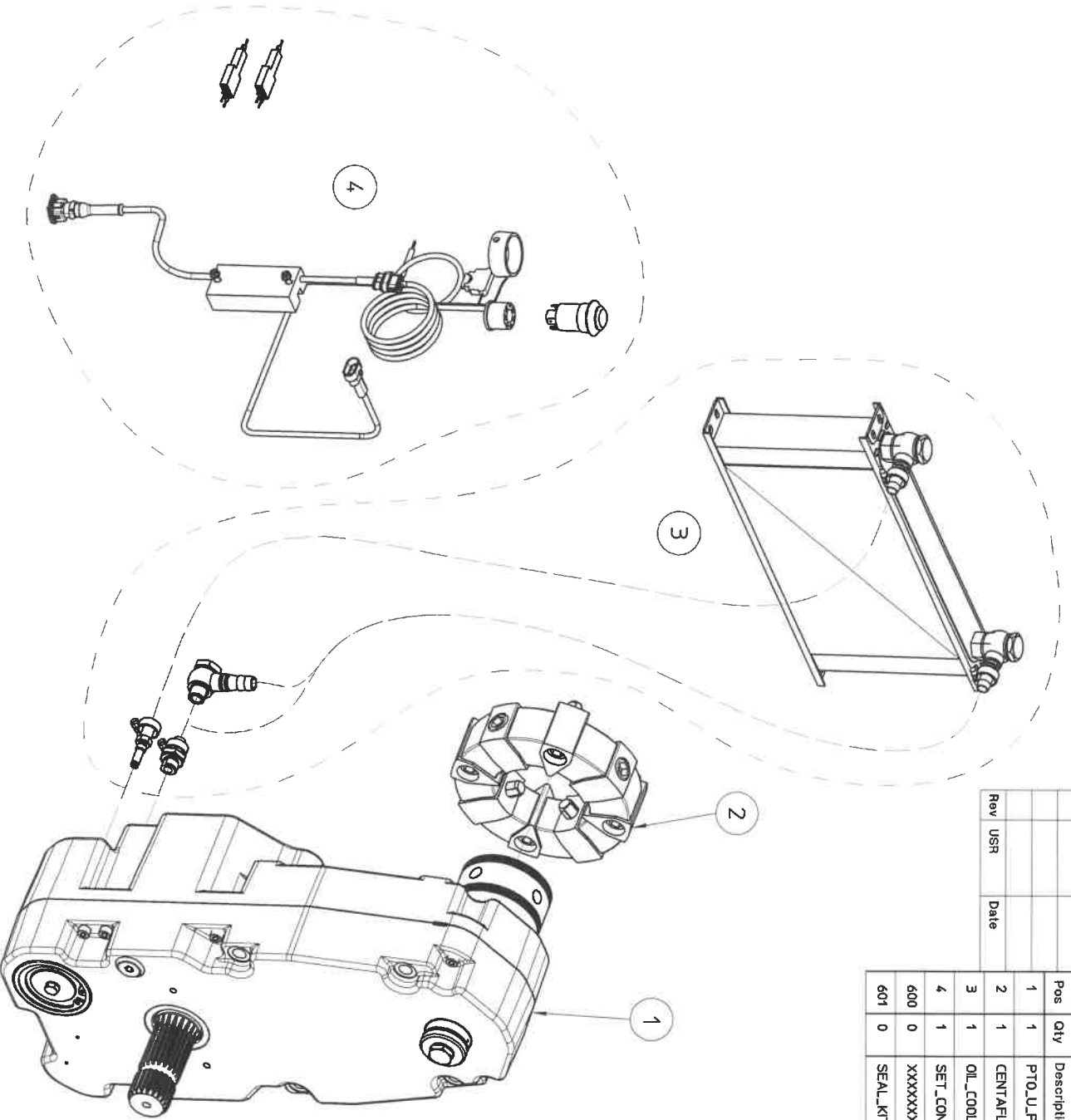
COOLER

COOLER RETURN

Disclaimer: The (intellectual property) rights and the know-how on the performed work and on all of the provided information and/or products rest with Zuidberg, unless otherwise agreed by the parties in written form. The distribution, disclosure, copying or any other use of the information and/or products provided by Zuidberg is forbidden, unless otherwise agreed by the parties or provided by the law.



ZUIDBERG  
WWW.ZUIDBERG.COM



Rev	USR	Date

designed:	BV	18/01/2013	1003413 0	A3	
checked:	MC	09/01/2014			
released:	FA	09/01/2014			
weight (kg)		PTO_P14_CW_C50_20			
Pos	Qty	Description	Article code	OEM code	Remarks
1	1	PTO_U_P14_CW_C50_20	6001950 0		
2	1	CENTAFLEX_C50_8X-BOL.TS_M16X50	9000953 0		220 Nm
3	1	OIL_COOLER_SET_4M_SPECIAL	1303474 0		
4	1	SET_CONT_LITE_3PINS_UNI_PUSH_BUTTON	8001067 0		
600	0	XXXXXXXXXXXX OPTIONS XXXXXXXXXXXX	0000112 0		
601	0	SEAL_KIT_GB.PI	4001706 0		