



TYPE A

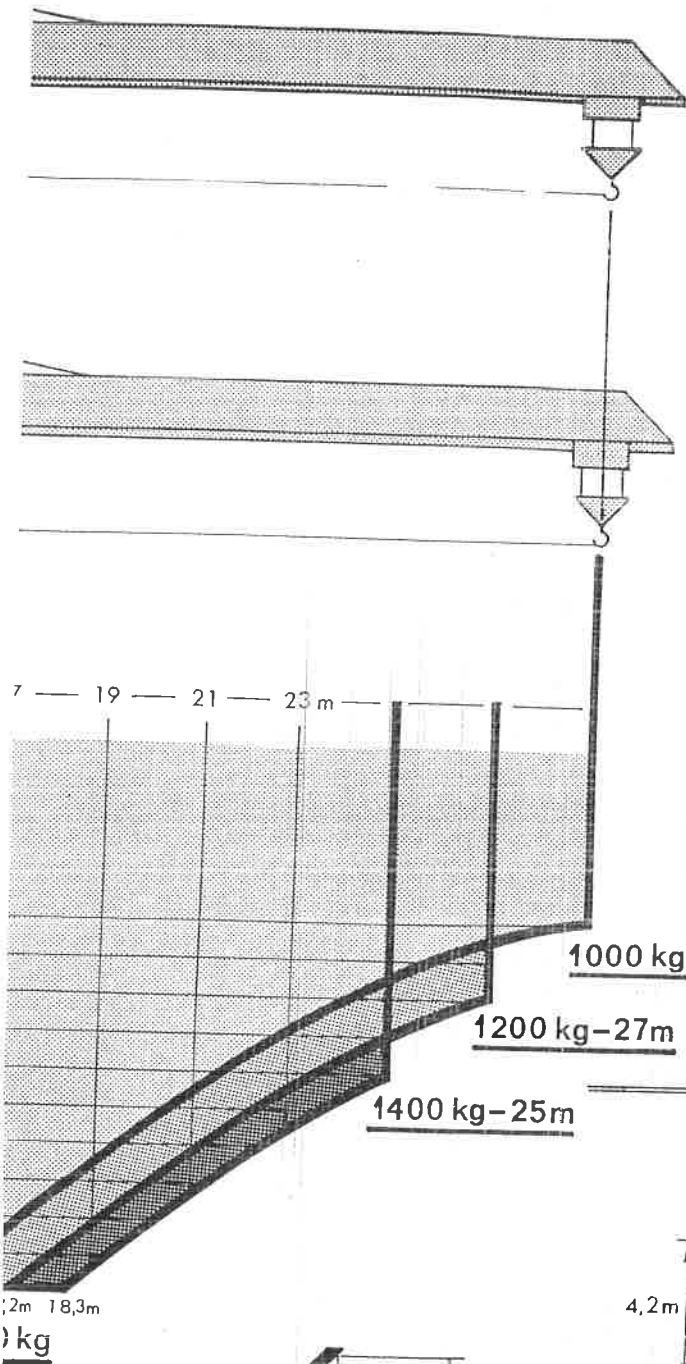
STANDARD  (14x960kg)
13440kg
 INF. REF. SM/B 1 - 3A

PERMANENT BALLAST: 1,2 m³
 6000 kg
 Skrot/Schrott/Scrap: -4500 kg
 Beton/Concrete :. 1500 kg

 (4x1880kg)
7520kg
 INF. REF. SM/B 1 - 6A

SEMI-MOBILE

K-35



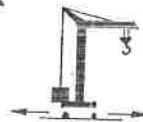
m/min 6,6 - 20 - 40



pr. min 360°



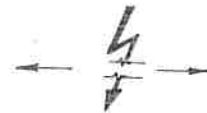
m/min 28



m/min 30



220V
380V
440V } x 3 50Hz



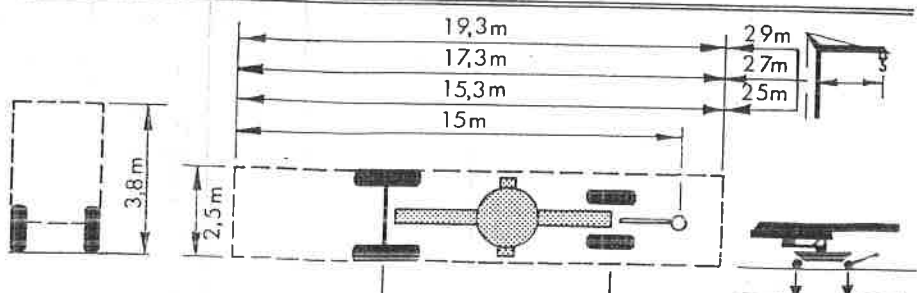
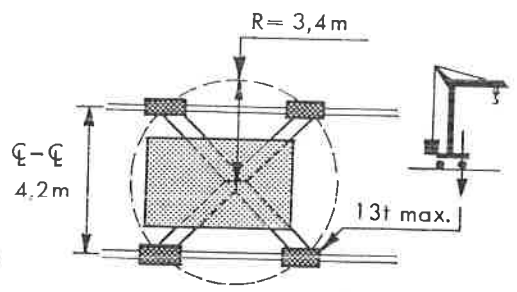
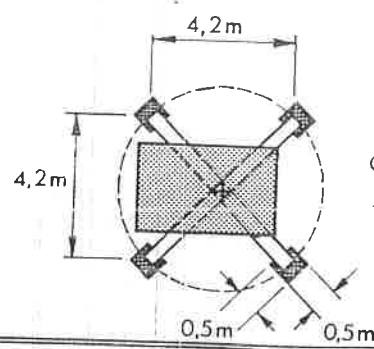
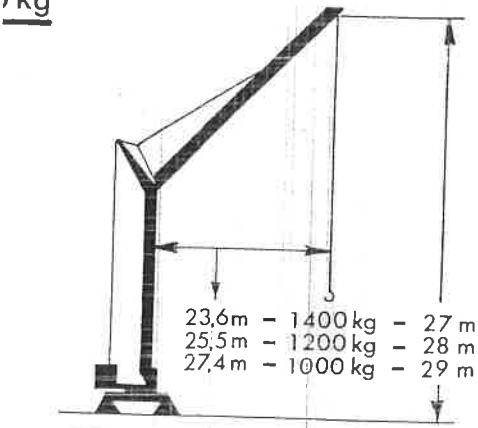
Amp (380V) 63



kW (380V) 15



kW (380V) 23



ONE METER (m)
= 3.281 feet
METRIC TON (t) = 2200 lbs

Excl. 13440 kg - 5 kg/cm² (71 psi) - 7 kg/cm² (100 psi) - 6,4t + 2,5t
Type A excl. 7520 kg - 7 kg/cm² (100 psi) - 6,7 kg/cm² (96 psi) - 12,2t + 3,3t