

ACCESSORIES - 7 - v.02 - 02.10

4 pcs

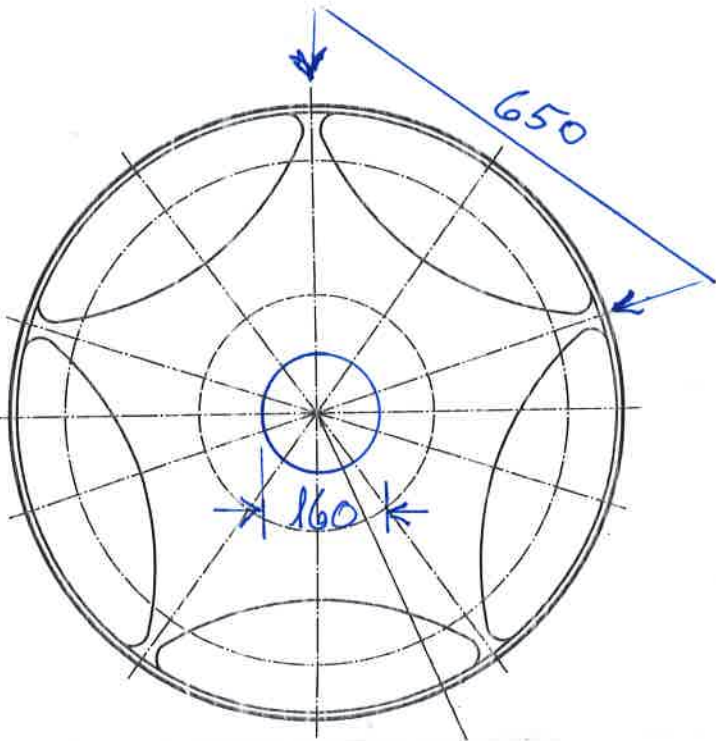
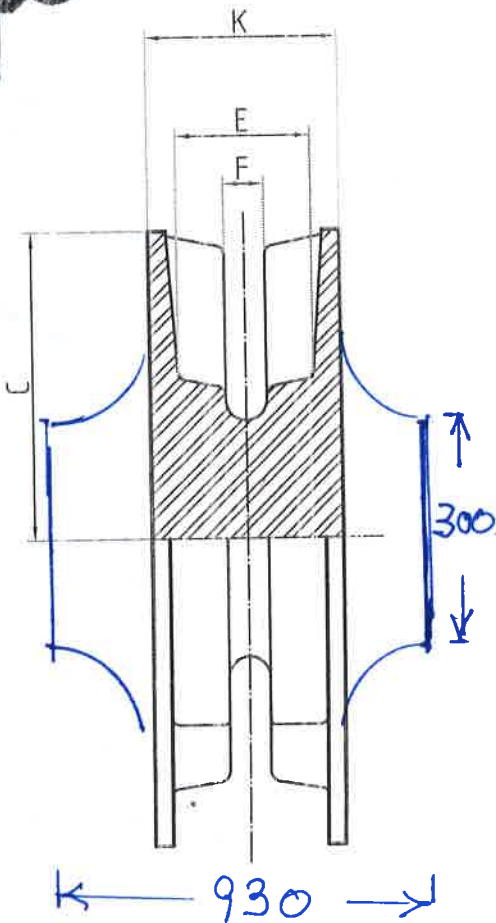
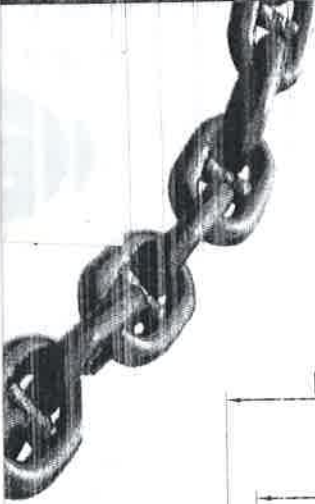
ACCESSORIE

# CHAIN-WHEELS

Weight each 1845 kg

CABELARS

each € 5000



Dia	C	E	F	K
mm	mm	mm	mm	mm
1500	750	370	130	450