

Hydro gear type HGM-15E-3138



Varenr.: 9614

Lokation: 19D

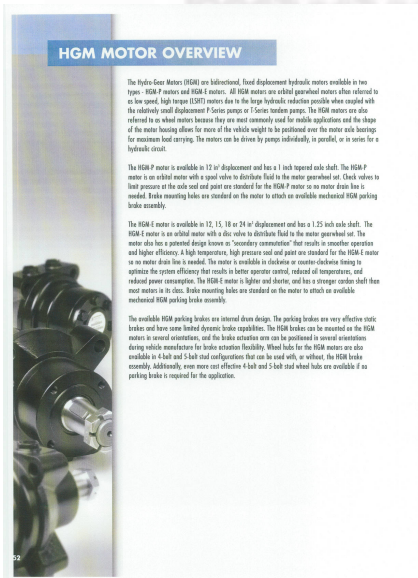
Stand: Ny

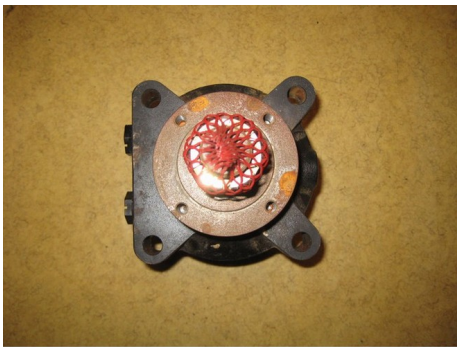
Mærke: Hydro Gear

Beskrivelse

pris pr. stk. (se vedlagte skema) 13 stk. på lager.

Galleri





HGM MOTOR OVERVIEW

Code numbers and weight

Type	HGM-12P	HGM-12E	HGM-15E	HGM-18E	HGM-24E
Rotation rev	-7172	-3050	-3051	-3052	-3053
Rotation cone	-7172	-3054	-3055	-3056	-3057
Weight B [kg]	14.6 (4.6)	21.9 (9.9)	22.6 (10.3)	23.6 (10.7)	25.0 (11.3)

Motor Series Configuration
1200 7172

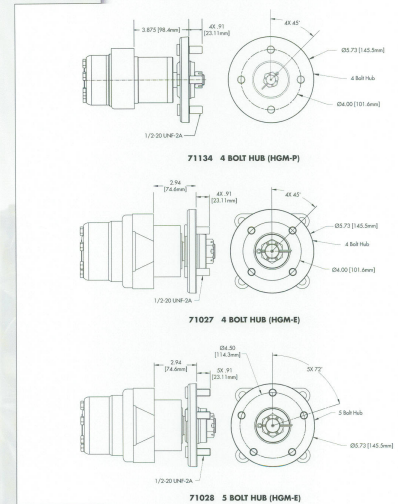
Technical data

Type	HGM	HGM	HGM	HGM	HGM
Motor Size	12P	12E	15E	18E	24E
Geometric Displacement cu in [cc]	11.87 [194.5]	12.09 [198.2]	15.14 [248.1]	18.92 [310.1]	23.84 [390.7]
Max. Speed rpm [min-1]	cont. 310 [500]	cont. 300 [500]	cont. 261 [500]	cont. 190 [500]	cont. 150 [500]
	peak 390 [590]	peak 375 [575]	peak 301 [501]	peak 238 [338]	peak 175 [175]
Max. Torque in-lb [daN-m]	cont. 3190 [36]	cont. 4160 [47]	cont. 4314 [51]	cont. 4602 [52]	cont. 4848 [55]
	peak 3980 [45]	peak 4314 [51]	peak 5045 [57]	peak 5644 [64]	peak 6441 [73]
Max. Output hp [kW]	cont. 13.5 [10]	cont. 14.8 [11]	cont. 13.4 [10]	cont. 10.7 [8]	cont. 9.4 [7]
	peak 2000 [138]	peak 2683 [165]	peak 2331 [160]	peak 1885 [130]	peak 1668 [119]
Max. Pressure Drop psi [bar]	cont. 2500 [172]	cont. 2901 [205]	cont. 2611 [183]	cont. 2321 [160]	cont. 2176 [150]
	peak 3300 [228]	peak 3263 [225]	peak 2901 [208]	peak 2483 [175]	peak 2538 [175]
Max. Oil Flow gpm [l/min]	cont. 16 [60]	cont. 16 [60]	cont. 16 [60]	cont. 16 [60]	cont. 16 [60]
	peak 20 [75]	peak 20 [75]	peak 20 [75]	peak 20 [75]	peak 18 [70]
Max. Starting Pressure with unloaded shaft psi [bar]	cont. 100 [6.9]	cont. 102 [7]	cont. 102 [7]	cont. 102 [7]	cont. 102 [7]
	peak 3000 [34]	peak 3717 [42]	peak 4071 [46]	peak 4160 [47]	peak 4602 [52]
Min. Starting Torque in-lb [daN-m]	cont. 3710 [42]	cont. 4071 [46]	cont. 4602 [52]	cont. 5045 [57]	cont. 5930 [67]
Min. Continuous Speed rpm [min-1]	cont. 7 [7]	cont. 5 [5]	cont. 5 [5]	cont. 5 [5]	cont. 5 [5]
Shaft	1" tapered 1.25" tapered 1.25" tapered 1.25" tapered 1.25" tapered				

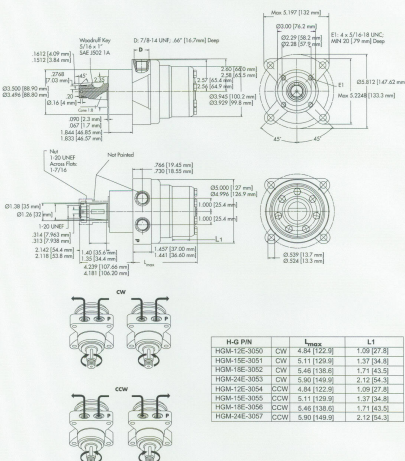
Type	Max. inlet pressure	Micro. return pressure
HGM - E Series psi [bar]	cont. 2901 [200]	cont. 2901 [200]
	peak 3046 [210]	peak 3046 [210]
HGM - P Series psi [bar]	cont. 2901 [200]	cont. 2901 [200]
	peak 3043 [205]	peak 3043 [205]

1) Intermittent operation; the permissible values may occur for max. 10% of every minute.
2) Peak load; the permissible values may occur for max. 1% of every minute.
3) Operation at lower speeds may be slightly less smooth.

HGM-E MOTOR HUB REFERENCE DIMENSIONS



HGM-E REFERENCE DIMENSIONS



Note: Dimensions for unpainted motors.
Front pilot point thickness: .006 in [150 µm]
Rear pilot point thickness: .008 in [200 µm]
Nut Torque: 295 lb-ft [11 lb-ft] [400N-m] [115N-m]

